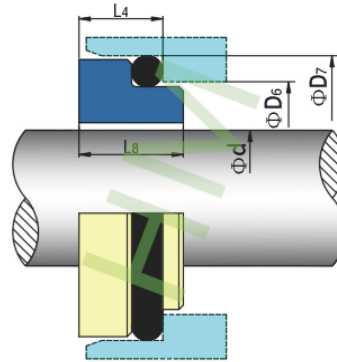




HMG4

Type: o-ring mounted seats, with stangard dimensions
 Replacement: Burgmann G4,Vulcan 8 STD,AES S01
 Material: V1,Q1,Q2,U1,U2



hengmi@meseal.com

d (mm)	D6	D7	L4	L8
10	15.5	19.2	6.6	7.5
12	17.5	21.6	5.6	6.5
14	20.5	24.6	5.6	6.5
15	20.5	24.6	6.6	7.5
16	22.0	28.0	7.5	8.5
18	24.0	30.0	8.0	9.0
20	29.5	35.0	7.5	8.5
22	29.5	35.0	7.5	8.5
24	32.0	38.0	7.5	8.5
25	32.0	38.0	7.5	8.5
26	34.0	40.0	8.0	9.0
28	36.0	42.0	9.0	10.0
30	39.2	45.0	10.5	11.5
32	42.2	48.0	10.5	11.5
33	44.2	50.0	11.0	12.0
35	46.2	52.0	11.0	12.0
38	49.2	55.0	10.3	11.3
40	52.2	58.0	10.8	11.8
42	53.3	62.0	12.0	13.2
43	53.3	62.0	12.0	13.2
45	55.3	64.0	11.6	12.8
48	59.7	68.4	11.6	12.8
50	60.8	69.3	11.6	12.8
53	63.8	72.3	12.3	13.5
55	66.5	75.4	13.3	14.5
58	69.5	78.4	13.3	14.5
60	71.5	80.4	13.3	14.5
63	74.5	83.4	13.3	14.2
65	76.5	85.4	13.0	14.2
68	82.7	91.5	13.7	14.9
70	83.0	92.0	13.0	14.2
75	90.2	99.0	14.0	15.2
80	95.2	104.0	15.0	16.2
85	100.2	109.0	14.8	16.0
90	105.2	114.0	14.8	16.0
95	111.6	120.3	15.8	17.0
100	114.5	123.3	15.8	17.0