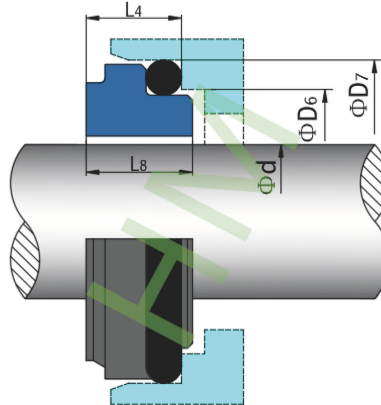


# HM12 DIN

Type: O-Ring mounted seats, according with EN12756 Standard

Replacement: Vulcan 12 DIN  
Material: B, V1, Q1, Q2, U1, U2



[hengmi@meseal.com](mailto:hengmi@meseal.com)

d (mm)	D6	D7	L4	L8
10	17	21	7	8.5
12	19	23	7	8.5
14	21	25	7	8.5
16	23	27	7	8.5
18	27	33	10	12.0
20	29	35	10	12.0
22	31	37	10	12.0
24	33	39	10	12.0
25	34	40	10	12.0
28	37	43	10	12.0
30	39	45	10	12.0
32	42	48	10	11.5
33	42	48	10	11.5
35	44	50	10	11.5
38	49	56	13	15.0
40	51	58	13	15.0
43	54	61	13	15.0
45	56	63	13	14.5
48	59	66	13	14.5
50	62	70	14	15.0
53	65	73	14	16.0
55	67	75	14	16.0
58	70	78	14	16.0
60	72	80	14	16.0
63	75	83	14	16.0
65	77	85	14	16.0
68	81	90	16	18.0
70	83	92	16	18.0
75	88	97	18	18.0
80	95	105	18	20.0
85	100	110	18	20.0
90	105	115	18	20.0
95	110	120	18	20.0
100	115	125	18	20.0