

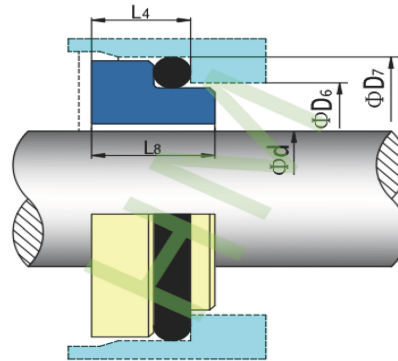


HMBS

Type: o-ring mounted seats, with a short axial dimension, according with DIN24960 stangard

Replacement: Crane BS,AES S03,Vulcan 8
DINS,Burgmann G6,Flowserve 8S

Material: V1,Q1,Q2,U1,U2



hengmi@meseal.com

| d (mm) | D6 | D7 | L4 | L8 |
|-----------|-----|-----|------|------|
| 12 | 19 | 23 | 6.0 | 6.8 |
| 14 | 21 | 25 | 6.0 | 6.8 |
| 16 | 23 | 27 | 6.0 | 6.8 |
| 18 | 27 | 33 | 6.0 | 7.0 |
| 20 | 29 | 35 | 6.0 | 7.0 |
| 22 | 31 | 37 | 6.0 | 7.0 |
| 24 | 33 | 39 | 6.0 | 7.0 |
| 25 | 34 | 40 | 6.0 | 7.0 |
| 28 | 37 | 43 | 6.0 | 7.0 |
| 30 | 39 | 45 | 7.0 | 8.0 |
| 32 | 42 | 48 | 7.0 | 8.0 |
| 33 | 42 | 48 | 7.0 | 8.0 |
| 35 | 44 | 50 | 8.0 | 9.0 |
| 38 | 49 | 56 | 8.0 | 9.0 |
| 40 | 51 | 58 | 8.0 | 9.0 |
| 43 | 54 | 61 | 8.0 | 9.0 |
| 45 | 56 | 63 | 8.0 | 9.0 |
| 48 | 59 | 66 | 10.0 | 11.0 |
| 50 | 62 | 70 | 10.0 | 11.0 |
| 53 | 65 | 73 | 10.0 | 11.0 |
| 55 | 67 | 75 | 10.0 | 11.0 |
| 58 | 70 | 78 | 10.0 | 11.7 |
| 60 | 72 | 80 | 12.0 | 12.7 |
| 63 | 75 | 83 | 12.0 | 12.7 |
| 65 | 77 | 85 | 12.0 | 12.7 |
| 68 | 81 | 90 | 12.0 | 12.7 |
| 70 | 83 | 92 | 12.0 | 12.7 |
| 75 | 88 | 97 | 12.0 | 12.7 |
| 80 | 95 | 105 | 12.5 | 13.2 |
| 85 | 100 | 110 | 12.5 | 13.2 |
| 90 | 105 | 115 | 12.5 | 13.2 |
| 95 | 110 | 120 | 12.5 | 13.2 |
| 100 | 115 | 125 | 12.5 | 13.2 |