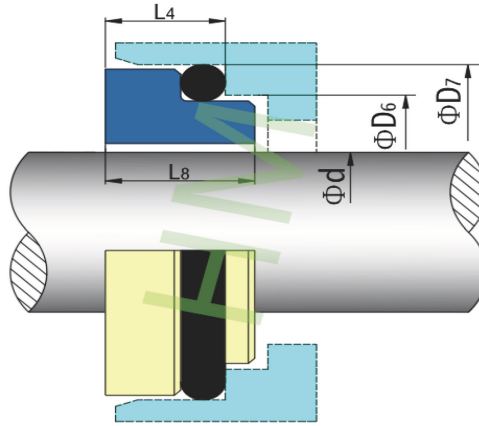


HM24 DINS

Type: o-ring mounted seats, with short design, according with DIN2496 stangard

Replacement: Vulcan 24 DINS,AES S06,Crane BO,Flowserve 4S

Material: V1,Q1,Q2,U1,U2



hengmi@meseal.com

d (mm)	D6	D7	L4	L8
10	17	21	8.6	10.0
12	19	23	8.6	10.0
14	21	25	8.6	10.0
16	23	27	8.6	10.0
18	27	33	10.0	11.5
20	29	35	10.0	11.5
22	31	37	10.0	11.5
24	33	39	10.0	11.5
25	34	40	10.0	11.5
28	37	43	10.0	11.5
30	39	45	10.0	11.5
32	42	48	10.0	11.5
33	42	48	10.0	11.5
35	44	50	10.0	11.5
38	49	56	11.0	12.5
40	51	58	11.0	12.5
43	54	61	11.0	12.5
45	56	63	11.0	12.5
48	59	66	11.0	12.5
50	62	70	13.0	14.5
53	65	73	13.0	14.5
55	67	75	13.0	14.5
58	70	78	13.0	14.5
60	72	80	13.0	14.5
63	75	83	13.0	14.5
65	77	85	13.0	14.5
68	81	90	15.3	16.5
70	83	92	15.3	16.5
75	88	97	15.3	16.5
80	95	105	15.7	17.5
85	100	110	15.7	17.5
90	105	115	15.7	17.5
95	110	120	15.7	17.5
100	115	125	15.7	17.5