

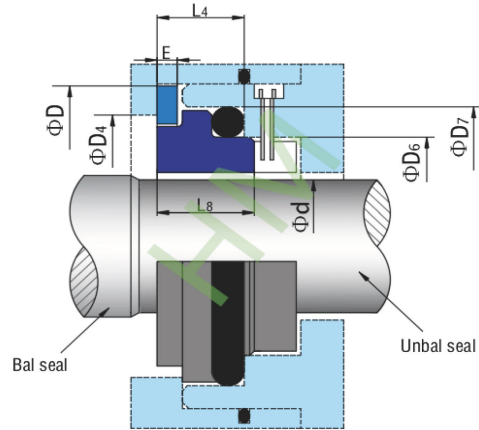
Type: PTFE rectangular Ring mounted seats, with anti-rotation pin, according with DIN24960 standard, also is available in o-ring mounted shape with seat blocked ring and suitable in vacuum application

Replacement: Crane BD,AES S010

Material: V1,Q1,Q2,U1,U2



hengmi@meseal.com



d (mm)	D		D4		D6	D7	L4	L8	E
	Undal	Bal.	Undal	Bal.					
14	30	38	26	34	21	25	12.0	18.5	4
16	32	40	28	36	23	27	12.0	18.5	4
18	38	42	34	38	27	33	13.5	20.5	4
20	40	43	36	40	29	35	13.5	20.5	4
22	42	46	38	42	31	37	13.5	20.5	4
24	43	48	40	44	33	39	13.3	20.3	4
25	46	50	41	46	34	40	13.0	20.0	4
28	48	53	44	49	37	43	12.5	19.5	4
30	50	60	46	51	39	45	12.0	19.0	4
32	53	62	48	58	42	48	12.0	19.0	4
33	53	62	49	58	42	48	12.0	19.0	4
35	60	65	51	60	44	50	12.0	19.0	4
38	62	67	58	63	49	56	13.0	20.0	6
40	65	70	60	65	51	58	13.0	20.0	6
43	67	72	63	68	54	61	13.0	20.0	6
45	70	75	65	70	56	63	13.0	20.0	6
48	72	77	68	73	59	66	13.0	20.0	6
50	75	86	70	75	62	70	13.5	20.5	6
53	77	88	73	83	65	73	13.5	20.5	6
55	86	91	75	85	67	75	13.5	20.5	6
58	88	93	83	88	70	78	13.5	20.5	6
60	91	96	88	90	72	80	13.5	20.5	6
65	96	103	90	95	77	85	13.5	20.5	6
68	98	-	93	-	81	90	13.5	20.5	6
70	103	108	95	104	83	92	14.5	21.5	6
75	108	120	104	109	88	97	14.5	21.5	6
80	120	125	109	114	95	105	15.0	22.0	6
85	125	130	114	119	100	110	15.0	22.0	6
90	130	135	119	124	105	115	15.0	22.0	6
95	135	140	124	129	110	120	15.0	22.0	6
100	140	145	129	134	115	125	15.0	22.0	6