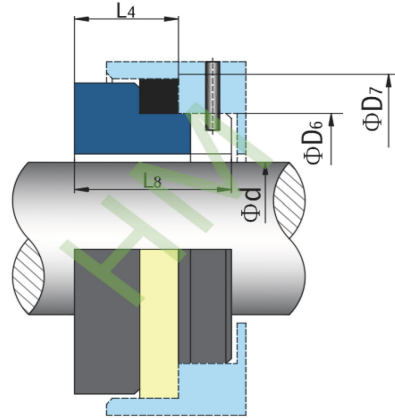
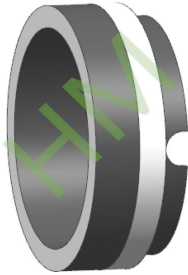


HMBP

Type : PFTE rectangular ring mounted seats , with anti-rotation pin , according with DIN24960 standard , Also available in o-ring mounted shape

Replacement : Crane BP,AESS010

Material : V1,Q1,Q2,U1,U2



hengmi@meseal.com

d (mm)	D6	D7	L4	L8
14	21	25	12.0	18.5
16	23	27	12.0	18.5
18	27	33	13.5	20.5
20	29	35	13.5	20.5
22	31	37	13.5	20.5
24	33	39	13.3	20.3
25	34	40	13.0	20.0
28	37	43	12.5	19.5
30	39	45	12.0	19.0
32	42	48	12.0	19.0
33	42	48	12.0	19.0
35	44	50	12.0	19.0
38	49	56	13.0	20.0
40	51	58	13.0	20.0
43	54	61	13.0	20.0
45	56	63	13.0	20.0
48	59	66	13.0	20.0
50	62	70	13.5	20.5
53	65	73	13.5	20.5
55	67	75	13.5	20.5
58	70	78	13.5	20.5
60	72	80	13.5	20.5
63	75	83	13.5	20.5
65	77	85	13.5	20.5
68	81	90	13.5	20.5
70	83	92	14.5	21.5
75	88	97	14.5	21.5
80	95	105	15.0	22.0
85	100	110	15.0	22.0
90	105	115	15.0	22.0
95	110	120	15.0	22.0
100	115	125	15.0	22.0