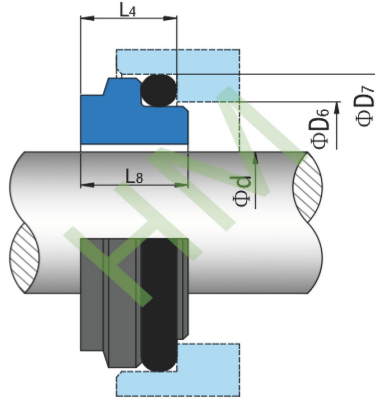


# HMG13

Type: o-ring mounted seats, with standard dimensions

Replacement: Burgmann G13  
Material: A,B



[hengmi@meseal.com](mailto:hengmi@meseal.com)

d (mm)	D6	D7	L4	L8
10	15.5	19.2	7.1	9.0
12	17.5	21.6	7.6	10.0
14	20.5	24.6	7.6	10.0
15	20.5	24.6	8.6	11.0
16	22.0	28.0	9.0	11.5
18	24.0	30.0	10.0	12.5
20	29.5	35.0	9.5	12.5
22	29.5	35.0	9.5	12.5
24	32.0	38.0	9.5	12.5
25	32.0	38.0	9.5	12.5
26	34.0	40.0	10.0	13.0
28	36.0	42.0	11.0	14.0
30	39.2	45.0	11.0	14.0
32	42.2	48.0	11.0	14.0
33	44.2	50.0	11.5	14.5
35	46.2	52.0	11.5	14.5
38	49.2	55.0	11.5	14.5
40	52.2	58.0	11.5	14.5
42	53.3	62.0	14.3	17.0
43	53.3	62.0	14.3	17.0
45	55.3	64.0	14.3	17.0
48	59.7	68.4	14.3	17.0
50	60.8	69.3	14.3	17.0
53	63.8	72.3	14.3	17.0
55	66.5	75.4	15.3	18.0
58	69.5	78.4	15.3	18.0
60	71.5	80.4	15.3	18.0
63	74.5	83.4	15.3	18.0
65	76.5	85.4	15.3	18.0
68	82.7	91.5	16.0	19.0
70	83.0	92.0	15.3	18.0
75	90.2	99.0	15.3	18.0
80	95.2	104.0	16.3	19.0
85	100.2	109.0	16.3	19.0
90	105.2	114.0	16.3	19.0
95	111.6	120.3	17.3	20.0
100	114.5	123.3	17.3	20.0