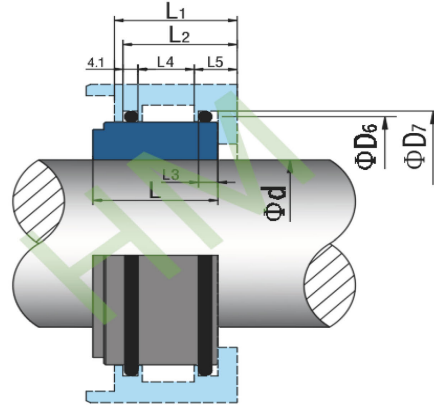
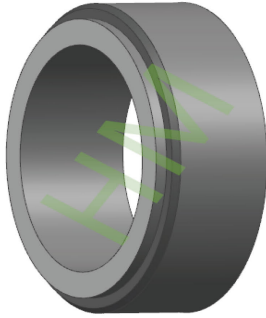


# HMG115

Type: DIN 24960 Standards seat  
Replacement: Burgmann G115

Material: Q1,Q2,A,B



[hengmi@meseal.com](mailto:hengmi@meseal.com)

d (mm)	D6	D7	L	L1	L3	L4	L5	L2
14	-	-	-	-	8	9	6.6	22.6
16	-	-	-	-	8	9	6.6	22.6
18	-	-	-	-	8	9	6.6	22.6
20	-	-	-	-	8	9	6.6	22.6
22	-	-	-	-	8	9	6.6	22.6
24	-	-	-	-	8	9	6.6	24.6
25	-	-	-	-	8	9	6.6	24.6
28	44.65	50.57	24	24.0	8	9	6.6	24.6
30	47.83	53.75	24.5	24.0	8	9	6.6	24.6
32	47.83	53.75	24.5	24.0	8	9	6.6	24.6
33	47.83	53.75	24.5	24.0	8	9	6.6	24.6
35	51.00	56.92	24.5	24.0	8	9	6.6	24.6
38	54.18	60.10	26.0	24.0	8	9	6.6	24.6
40	60.53	66.45	26.0	24.0	8	9	6.6	24.6
43	63.70	69.62	26.0	24.0	8	9	6.6	24.6
45	63.70	69.62	26.0	24.0	8	9	6.6	24.6
48	66.88	72.80	26.0	24.0	8	9	6.6	24.6
50	70.05	75.97	26.0	24.0	8	9	6.6	24.6
53	76.40	82.32	26.0	24.0	8	9	6.6	24.6
55	76.40	82.32	28.5	26.0	8	11	6.6	24.6
58	79.58	85.50	28.5	26.0	8	11	6.6	24.6
60	82.75	88.67	28.5	26.0	8	11	6.6	24.6
63	85.93	91.85	28.5	26.0	8	11	6.6	24.6
65	85.93	91.85	28.5	26.0	8	11	6.6	24.6
70	89.10	95.02	30.5	26.0	8	11	6.6	24.6
75	98.63	104.55	30.5	26.0	8	11	6.6	24.6
80	101.80	107.72	30.2	26.0	8	11	6.6	24.6
85	108.15	114.07	30.2	26.0	8	11	6.6	24.6
90	114.50	120.42	30.2	26.0	8	11	6.6	24.6
95	117.68	123.6	29.2	26.0	8	11	6.6	24.6
100	124.03	129.95	29.2	26.0	8	11	6.6	24.6
105	128.98	134.90	29.2	26.0	8	11	6.6	24.6
110	135.30	141.20	32.5	30.0	8	11	6.6	24.6
115	140.30	146.20	32.5	30.0	8	11	6.6	24.6
120	145.30	151.20	32.5	30.0	8	11	6.6	24.6