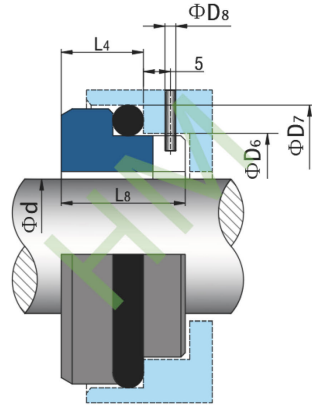
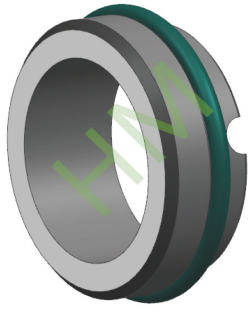




HMG46

Type: o-ring mounted seats, with anti-rotation pin, using standard dimensions.

Replacement: Burgmann G46
Material: Q1,Q2,U1,U2



hengmi@mesel.com

d (mm)	D6	D7	D8	L4	L8
18	27	33	3	9.0	17.0
20	29	35	3	9.0	17.0
22	31	37	3	9.0	17.0
24	33	39	3	9.0	17.0
25	34	40	3	9.0	17.0
28	37	43	3	9.5	17.5
30	39	45	3	9.5	17.5
32	42	48	3	9.5	17.5
33	42	48	3	9.5	17.5
35	44	50	3	9.5	17.5
38	49	56	4	10.5	18.5
40	51	58	4	10.5	18.5
43	54	61	4	10.5	18.5
45	56	63	4	10.5	18.5
48	59	66	4	10.5	18.5
50	62	70	4	12.0	19.5
53	65	73	4	12.0	19.5
55	67	75	4	12.0	19.5
58	70	78	4	13.0	20.5
60	72	80	4	13.0	20.5
63	75	83	4	13.0	20.5
65	77	85	4	13.0	20.5
68	81	90	4	13.5	21.0
70	83	92	4	14.0	21.5
75	88	97	4	14.0	21.5
80	95	105	4	14.0	21.5
85	100	110	4	14.0	21.5
90	105	115	4	15.5	23.0
95	110	120	4	15.5	23.0
100	115	125	4	15.5	23.0