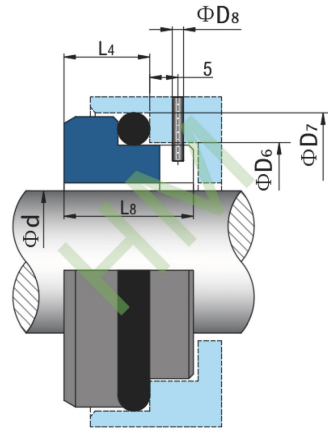




HMG16

Type: o-ring seats, with anti-rotation pin, using standard dimensions

Replacement: Burgmann G16
Material: Q1,Q2,U1,U2



hengmi@meseal.com

d (mm)	D6	D7	D8	L4	L8
18	27	33	3	7.0	15.0
20	29	35	3	7.0	15.0
22	31	37	3	7.0	15.0
24	33	39	3	7.0	15.0
25	34	40	3	7.0	15.0
28	37	43	3	7.0	15.0
30	39	45	3	7.0	15.0
32	42	48	3	7.0	15.0
33	42	48	3	7.0	15.0
35	44	50	3	7.0	15.0
38	49	56	4	8.0	16.0
40	51	58	4	8.0	16.0
43	54	61	4	8.0	16.0
45	56	63	4	8.0	16.0
48	59	66	4	8.0	16.0
50	62	70	4	9.5	17.0
53	65	73	4	9.5	17.0
55	67	75	4	9.5	17.0
58	70	78	4	10.5	18.0
60	72	80	4	10.5	18.0
63	75	83	4	10.5	18.0
65	77	85	4	10.5	18.0
68	81	90	4	11.0	18.0
70	83	92	4	11.5	19.0
75	88	97	4	11.5	19.0
80	95	105	4	11.5	19.0
85	100	110	4	11.5	19.0
90	105	115	4	13.0	20.5
95	110	120	4	13.0	20.5
100	115	125	4	13.0	20.5