

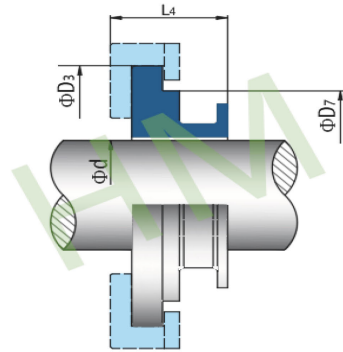
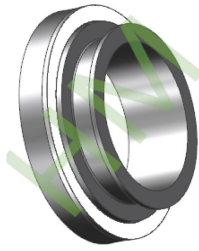


Type: O-ring mounted seats, with anti-rotation slot, can apply to American standard seals housing dimensions.

Replacement: AES SOJ, Crane J

Material: F,G

HMJ



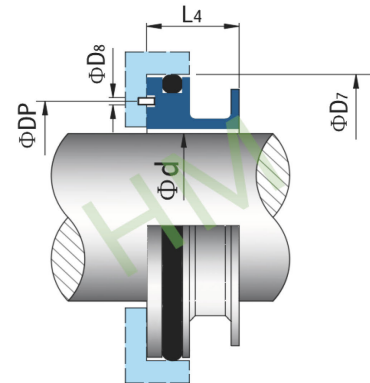
d (mm)	D3	D7	L4
53.9	95.3	79.5	27.0
66.6	107.9	91.8	32.5
85.7	127.0	111.0	36.5

Type: O-ring mounted seats, with anti-rotation slot, can apply to American standard seals housing dimensions.

Replacement: AES SOH, Crane H

Material: F,G

HMH



d (mm)	D7	D8	DP	L4
19.1	34.1	3.0	26.0	20.6
28.6	47.6	3.5	38.1	23.9
31.7	50.8	3.5	41.2	23.9
34.9	53.9	3.5	44.4	23.9
38.1	57.1	3.5	47.6	23.9
41.2	60.3	3.5	50.8	23.9
44.4	63.5	3.5	53.9	23.9
50.8	69.8	3.5	60.3	27.0
53.9	73.0	3.5	63.5	27.0
66.6	92.1	4.5	79.4	31.9