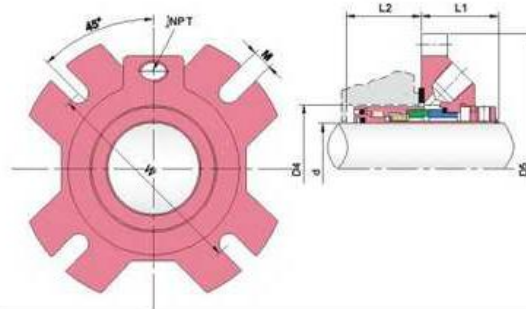


Cartidge Mechanical Seals

... GWGU

- **Operational Conditions:**
Temperature: 30℃ to +130℃
Pressure: ≤ 1.5MPa
Speed: ≤ 20m/s
- **Materials:**
Stationary Ring: Q2
Rotary Ring: B
Secondary Seal: P.E., V
Spring and Metal parts: F, G, M
- **Applications:** Clean water, Wastewater, Chemical and other moderately corrosive fluids.

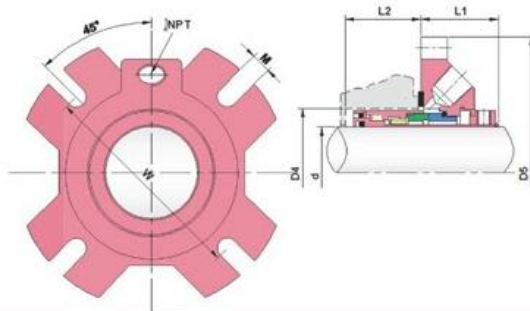


规格/Size (公制/Metric)	D4		D5	L1	L2 MIN	W		M
	MIN	MAX				MIN	MAX	
24	40.0	49.2	104.8	37.5	32.0	66.7	95.3	11.1
25	41.0	49.2	104.8	37.5	32.0	66.7	95.3	11.1
28	44.0	52.4	108.0	37.5	32.0	69.9	98.4	11.1
30	46.0	55.6	111.0	37.5	32.0	73.0	101.6	11.1
32	47.6	55.6	111.0	37.5	32.0	73.0	101.6	11.1
33	49.0	58.7	114.3	37.5	32.0	77.8	104.8	11.1
35	50.8	58.7	114.3	37.5	32.0	77.8	104.8	11.1
38	57.2	63.5	127.0	38.5	33.0	87.3	114.3	14.3
40	60.0	63.5	127.0	38.5	33.0	87.3	114.3	14.3
43	63.0	66.7	133.4	38.5	33.0	90.5	120.7	14.3
45	63.5	66.7	133.4	38.5	33.0	90.5	120.7	14.3
48	66.7	76.2	139.7	38.5	33.0	98.4	127.0	14.3
50	69.8	76.2	139.7	38.5	33.0	98.4	127.0	14.3
53	73.0	84.1	146.0	38.5	33.0	111.1	130.2	17.5
55	73.0	84.1	146.0	38.5	33.0	111.1	130.2	17.5
58	79.4	90.5	152.4	38.5	33.0	117.5	136.5	17.5
60	79.4	90.5	152.4	38.5	33.0	117.5	136.5	17.5
63	82.6	98.4	158.8	39.0	36.0	123.8	142.9	17.5
65	88.9	98.4	158.8	39.0	36.0	123.8	142.9	17.5
70	95.0	98.4	158.8	39.0	36.0	123.8	142.9	17.5
75	101.6	114.3	206.0	46.0	42.5	145.0	167.0	20.6
80	108.0	120.6	206.0	46.0	42.5	151.0	167.0	20.6
85	111.0	123.8	206.0	46.0	42.5	154.0	167.0	20.6
90.0	117.5	130.0	216.0	46.0	42.5	160.0	177.0	20.6
95	120.7	133.4	246.0	46.0	42.5	164.0	207.0	20.6
100	127.0	140.0	246.0	46.0	42.5	171.0	207.0	20.6
105	133.4	150.0	246.0	62.0	44.0	181.0	223.0	20.6
110	139.7	155.0	246.0	62.0	44.0	188.0	223.0	20.6
115	139.7	155.0	246.0	62.0	44.0	188.0	223.0	20.6
120	146.1	162.0	266.0	62.0	44.0	194.0	223.0	20.6
125	160.0	176.0	266.0	62.0	44.0	210.0	253.0	20.6
130	160.0	176.0	266.0	62.0	44.0	210.0	253.0	20.6
135	174.0	190.0	299.0	62.0	44.0	226.0	275.0	23.8
140	174.0	190.0	299.0	62.0	44.0	226.0	275.0	23.8

Cartidge Mechanical Seals

... GWGU

- **Operational Conditions:**
Temperature: 30℃ to +130℃
Pressure: ≤ 1.5MPa
Speed: ≤ 20m/s
- **Materials:**
Stationary Ring: Q2
Rotary Ring: B
Secondary Seal: P.E,V
Spring and Metal parts: F,G,M
- **Applications:** Clean water, Wastewater, Chemical and other moderately corrosive fluids.



规格/Size (英制/Inch)	MIN	D4 MAX	D5	L1	L2 MIN	MIN	W MAX	M
1.000	1.615	1.940	4.125	1.476	1.260	2.62	3.75	0.437
1.125	1.730	2.060	4.250	1.476	1.260	2.75	3.87	0.437
1.250	1.875	2.190	4.370	1.476	1.260	2.87	4.00	0.437
1.375	2.000	2.310	4.500	1.476	1.260	3.06	4.12	0.437
1.500	2.250	2.500	5.000	1.516	1.299	3.43	4.50	0.563
1.625	2.360	2.500	5.000	1.516	1.299	3.43	4.50	0.563
1.750	2.500	2.625	5.250	1.516	1.299	3.56	4.75	0.563
1.875	2.625	3.000	5.500	1.516	1.299	3.87	5.00	0.563
2.000	2.750	3.000	5.500	1.516	1.299	3.87	5.00	0.563
2.125	2.875	3.310	5.750	1.516	1.299	4.37	5.12	0.563
2.250	3.000	3.310	5.750	1.516	1.299	4.37	5.12	0.689
2.375	3.130	3.560	6.000	1.516	1.299	4.62	5.37	0.689
2.500	3.250	3.875	6.250	1.535	1.417	4.87	5.62	0.689
2.625	3.500	3.875	6.250	1.535	1.417	4.87	5.62	0.689
2.750	3.740	3.875	6.250	1.535	1.417	4.87	5.62	0.689
2.875	4.000	4.500	8.110	1.811	1.673	5.71	6.59	0.811
3.000	4.000	4.500	8.110	1.811	1.673	5.71	6.59	0.811
3.125	4.252	4.748	8.110	1.811	1.673	5.94	6.59	0.811
3.250	4.252	4.748	8.110	1.811	1.673	5.94	6.59	0.811
3.375	4.370	4.874	8.110	1.811	1.673	6.06	6.59	0.811
3.500	4.500	5.000	8.504	1.811	1.673	6.22	6.98	0.811
3.625	4.626	5.118	8.504	1.811	1.673	6.30	6.98	0.811
3.750	4.752	5.252	9.685	1.811	1.673	6.46	8.17	0.811
3.875	4.874	5.374	9.685	1.811	1.673	6.57	8.17	0.811
4.000	5.000	5.512	9.685	1.811	1.673	6.73	8.17	0.811
4.125	5.252	5.906	9.685	2.441	1.732	7.13	8.80	0.811
4.250	5.252	5.906	9.685	2.441	1.732	7.13	8.80	0.811
4.375	5.500	6.102	9.685	2.441	1.732	7.40	8.80	0.811
4.500	5.500	6.102	9.685	2.441	1.732	7.40	8.80	0.811
4.625	5.752	6.378	10.472	2.441	1.732	7.64	8.80	0.811
4.750	5.752	6.378	10.472	2.441	1.732	7.64	8.80	0.811
4.875	6.299	6.929	10.472	2.441	1.732	8.27	9.98	0.811
5.000	6.299	6.929	10.472	2.441	1.732	8.27	9.98	0.811
5.125	6.299	6.929	10.472	2.441	1.732	8.27	9.98	0.811
5.250	6.850	7.480	11.654	2.441	1.732	8.90	10.84	0.937
5.375	6.850	7.480	11.654	2.441	1.732	8.90	10.84	0.937
5.500	6.850	7.480	11.654	2.441	1.732	8.90	10.84	0.937
5.625	6.850	7.480	11.654	2.441	1.732	8.90	10.84	0.937