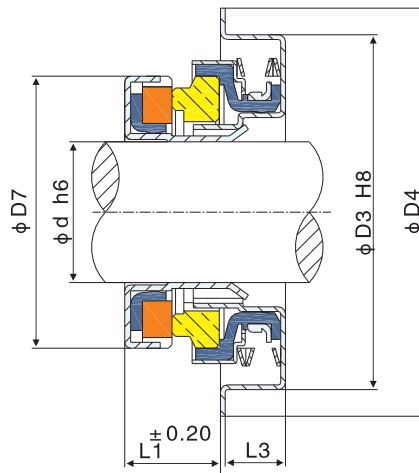


HM- FBSH



技术参数

- ▶ 压力: $\leq 0.6\text{MPa}$
- ▶ 转速: $\leq 4500\text{转/分}$
- ▶ 温度: $-30^{\circ}\text{C} \sim +150^{\circ}\text{C}$
- ▶ operating Limits
- ▶ Pressure: $\leq 0.6\text{MPa}$
- ▶ Rotary Speed: $\leq 4500\text{ r/min}$
- ▶ Temperature: $-30^{\circ}\text{C} \sim +150^{\circ}\text{C}$



Model	d	D3	D4	D7	L1	L3
HM FBSH-12	12	30	34	23.0	7.1	5.5
HM FBSH-12A	12	30	34	25.2	7.1	5.5
HM FBSH-12B	12	30	34	24.5	7.1	5.5
HM Model	d (inches)	D3	D4	D7	L1	L3
HM FBSH-1/2"	12.7	30	34	24.5	7.1	5.5
HM FBSH-15	15.0	36.5	41.5	32.5	9.3	7.4
HM FBSH-16	16.0	36.5	41.5	32.5	9.3	7.4