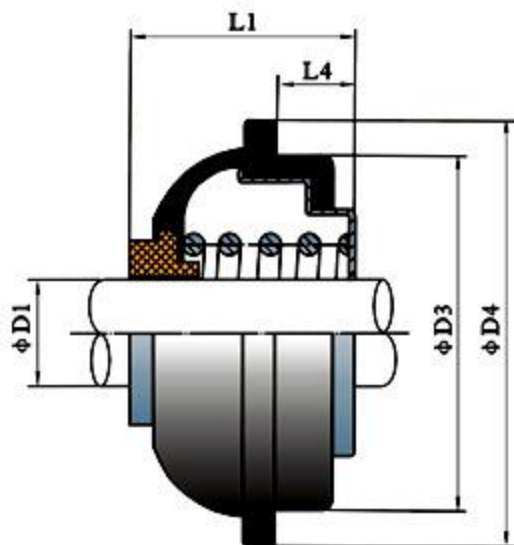


HM K



应用范围 (Applications)

温度 Temperature: $-20\sim 150^{\circ}\text{C}$

压力 Pressure: $\leq 0.8\text{MPa}$

线速度 Speeds: $\leq 13\text{m/sec}$

介质 Medium

油类、水、污水和一般腐蚀性液体

Oil, water, sewage water and general corrosive liquid.

型号MODEL	D1	D3	D4	L1	L4
12	12	29	36	14	8
-14A	14	34	40.6	15.5	7
-14B	14	30	36	16.5	7
-14C	14	35	40.6	15.5	7
-16A	16	38	43.6	16.5	8
-16B	16	37	42.5	16.5	8
-16C	16	36	42	16.5	8
-19	19	40	49	15.5	8
-20	20	38	46	16.5	8
-28	28	49	56.5	27.5	9.5