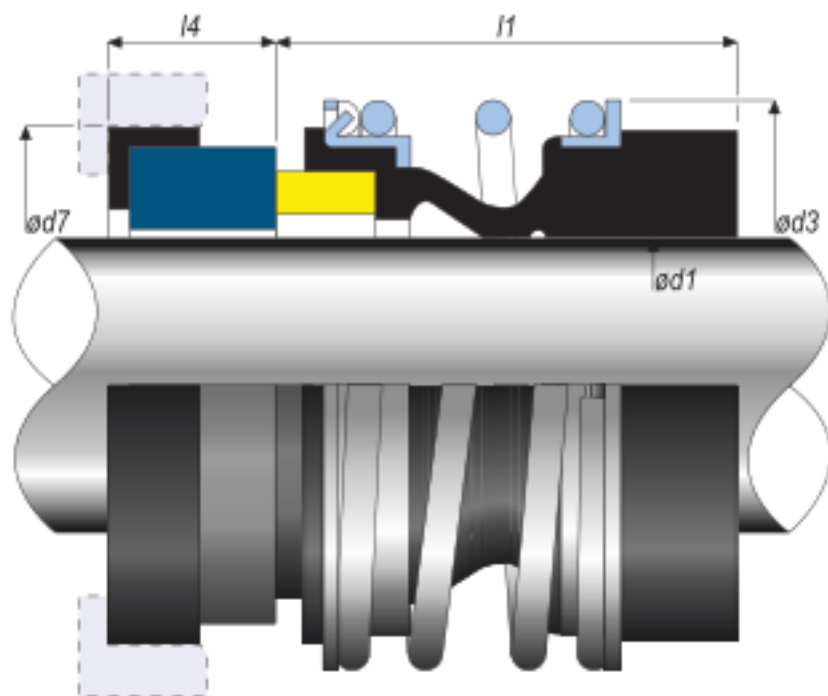


# HMMG1S

Seals to suit KSB Pumps



d1		d3		d7		l1		l4	
Metric	Inches	Metric	Inches	Metric	Inches	Metric	Inches	Metric	Inches
10.0	0.390	20.0	0.787	19.6	0.771	26.0	1.024	6.6	0.260
15.0	0.591	25.0	0.984	25.0	0.984	28.4	1.118	6.6	0.260
16.0	0.630	26.0	1.023	27.0	1.062	22.2	0.874	12.1	0.476
22.0	0.866	36.0	1.417	37.0	1.457	25.5	1.004	12.1	0.476
28.0	1.102	47.0	1.850	43.0	1.693	36.5	1.437	14.4	0.566
38.0	1.496	58.0	2.283	56.0	2.205	42.0	1.654	13.2	0.519
48.0	1.890	69.3	2.717	66.0	2.598	50.5	1.988	9.6	0.377